

DESCRIPTION

AMC MODEL SWN-1140-5DT OPTION: 0522, B01, BM IS AN ABSORPTIVE/ NON-REFLECTIVE SINGLE POLE FIVE THROW SWITCH DESIGNED TO OPERATE OVER THE 0.5 TO 22 GHz FREQUENCY RANGE WITH LOW INSERTION LOSS, HIGH ISOLATION, AND HIGH INPUT POWER.

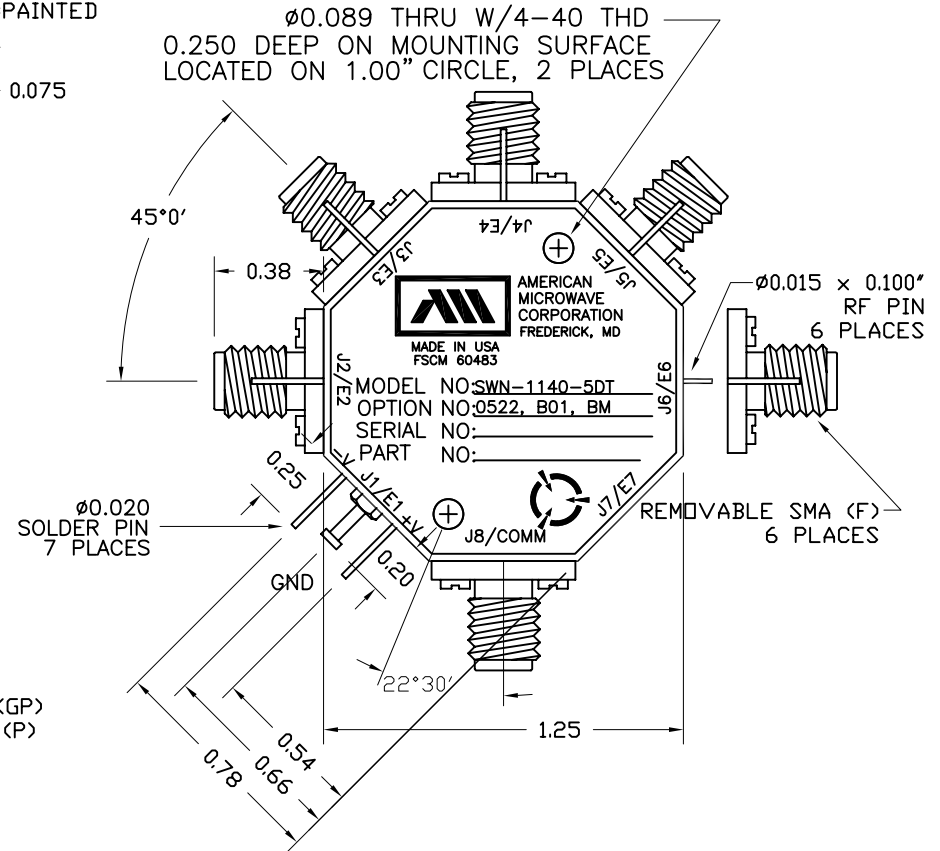
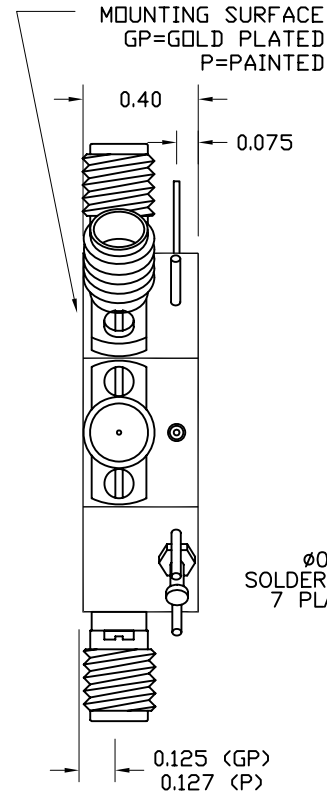
REVISIONS				
ZONE	REV.	DESCRIPTION	DATE	APPROVED
-		ORIGINAL RELEASE, JOB# 607126PE	9/26/06	

SPECIFICATIONS:

- FREQUENCY: 0.5 GHz TO 22 GHz
- INSERTION LOSS: 4.5db MAXIMUM
 0.5-12GHz 3.0db MAXIMUM
 12-20GHz 4.0db MAXIMUM
 22GHz 4.5db MAXIMUM
- ISOLATION: 60db MINIMUM
- VSWR: ABSORPTIVE IN/OUT: 2.0:1
 ABSORPTIVE OUT/OFF: 2.0:1
- SPEED: RISE: 10ns TYPICAL, 15ns MAX.
 FALL: 10ns TYPICAL, 15ns MAX.
 DELAY ON: 75ns TYPICAL, 100ns MAX.
 DELAY OFF: 75ns TYPICAL, 100ns MAX.
- POWER HANDLING: -20dBm
- CONTROL: TTL LOGIC "0"=ON "1"=OFF
- POWER SUPPLY: +5V @ 250 mA MAX.
 -12V @ 75mA MAXIMUM

OPTIONS:

- INDEPENDENT CONTROL WITH SOLDER PIN STANDARD
- 0522 0.5 - 22GHz FREQUENCY RANGE
- BM SPECIAL FOR BILL MCCLELLEN.
- B01 -12V POWER SUPPLIES



ENVIRONMENTAL RATINGS:

- TEMPERATURE: -55°C TO +85°C (OPERATING)
 -65°C TO +125°C (STORAGE)
- HUMIDITY: MIL-STD-202F, METHOD 103B COND. B
- SHOCK: MIL-STD-202F, METHOD 213B COND. B
- VIBRATION: MIL-STD-202F, METHOD 204D COND. B
- ALTITUDE: MIL-STD-202F, METHOD 105C COND. B
- TEMPERATURE CYCLE: MIL-STD-202F, METHOD 107D COND. A

ALL DIMENSIONS ARE IN INCHES
 TOLERANCES:
 X.XX ±0.020
 X.XXX ±0.010

NOTE: THE ABOVE SPECIFICATIONS ARE SUBJECT TO CHANGE OR REVISION

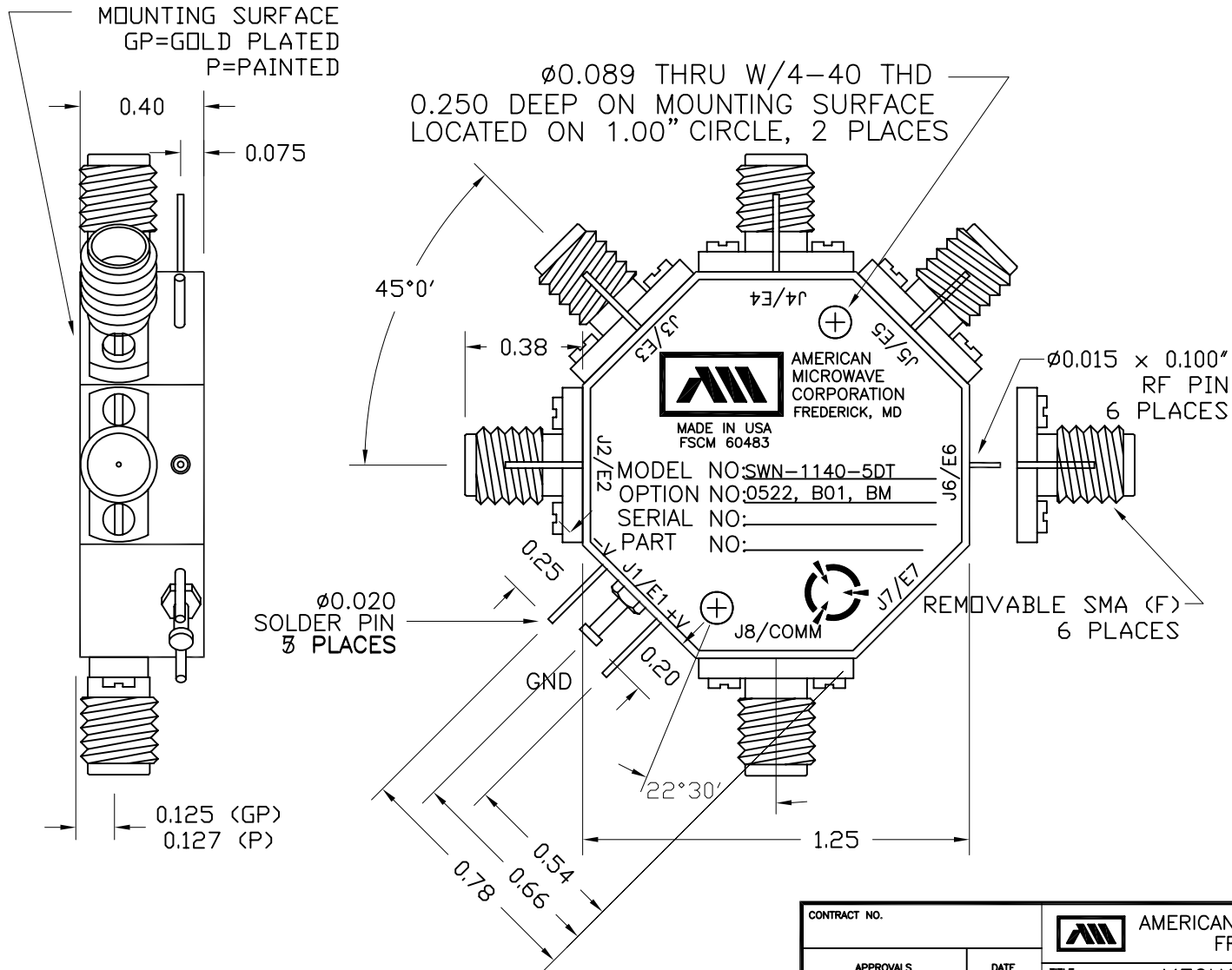
CONTRACT NO.		AMERICAN MICROWAVE CORPORATION FREDERICK, MARYLAND	
APPROVALS	DATE	TITLE	
DRAWN <i>PRB</i>	9/26/06	PRODUCT FEATURE SWN-1140-5DT-STANDARD	
CHECKED <i>RA</i>	10/09/06	OPTIONS: 0522, B01, BM	
ISSUED		NON-REFLECTIVE/ABSORPTIVE, RADIAL SOLID STATE SWITCH	
SIZE	FSCM NO.	DWG NO.	REV.
A	60483	100-4168-004	-
SCALE N/S		SHEET 1 of 4	

DESCRIPTION

AMC MODEL SWN-1140-5DT OPTION: 0522, B01, BM IS AN ABSORPTIVE/ NON-REFLECTIVE SINGLE POLE FIVE THROW SWITCH DESIGNED TO OPERATE OVER THE 0.5 TO 22 GHz FREQUENCY RANGE WITH LOW INSERTION LOSS, HIGH ISOLATION, AND HIGH INPUT POWER.

REVISIONS				
ZONE	REV.	DESCRIPTION	DATE	APPROVED
-	-	ORIGINAL RELEASE, JOB# 607126PE	9/26/06	

MECHANICAL OUTLINE



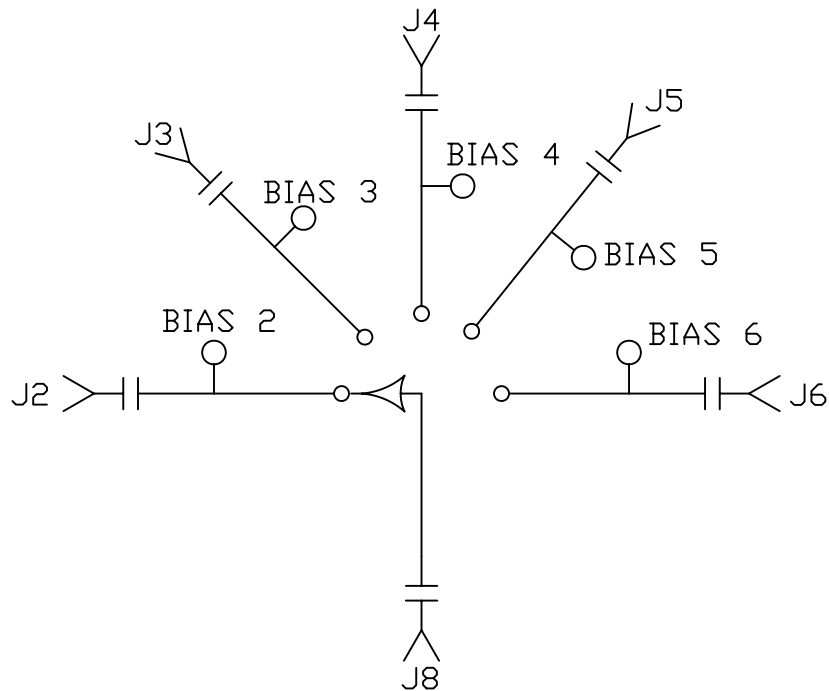
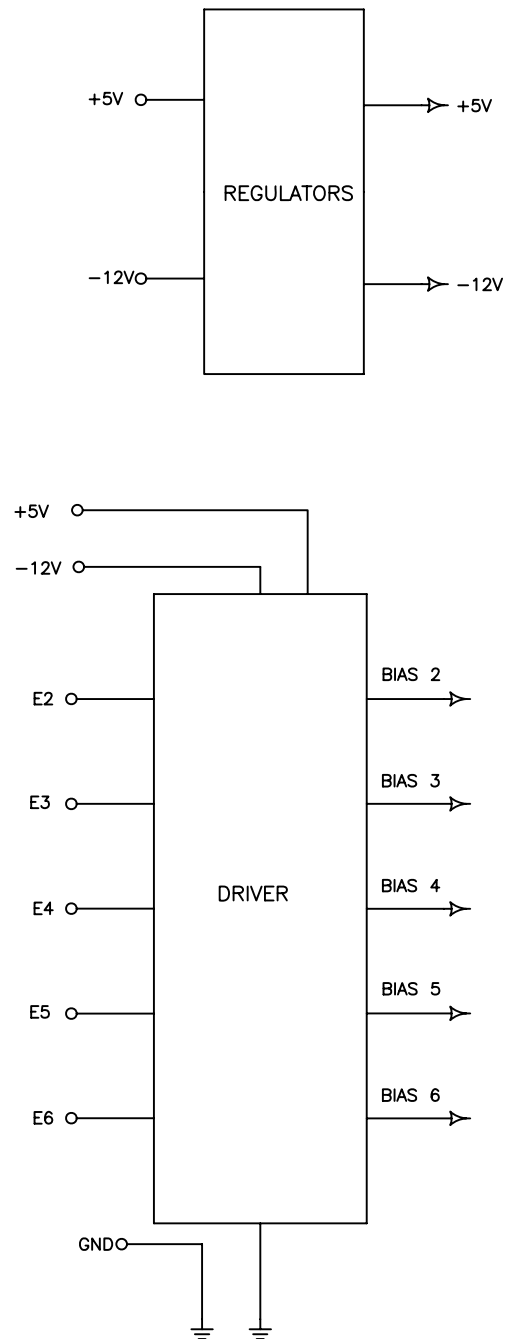
CONTRACT NO.		AMERICAN MICROWAVE CORPORATION FREDERICK, MARYLAND		
APPROVALS	DATE	TITLE		
DRAWN <i>PRB</i>	9/26/06	MECHANICAL OUTLINE		
CHECKED <i>RA</i>	10/03/06	SWN-1140-5DT-STANDARD		
ISSUED		OPTIONS: 0522, B01, BM		
		NON-REFLECTIVE/ABSORPTIVE, RADIAL SOLID STATE SWITCH		
		SIZE	FSCM NO.	DWG NO.
		A	60483	100-4168-004
		SCALE	REV.	
		N/S	-	
SHEET				2 of 4


DESCRIPTION

AMC MODEL SWN-1140-5DT OPTION: 0522, B01, BM IS AN ABSORPTIVE/ NON-REFLECTIVE SINGLE POLE FIVE THROW SWITCH DESIGNED TO OPERATE OVER THE 0.5 TO 22 GHz FREQUENCY RANGE WITH LOW INSERTION LOSS, HIGH ISOLATION, AND HIGH INPUT POWER.

REVISIONS				
ZONE	REV.	DESCRIPTION	DATE	APPROVED
	-	ORIGINAL RELEASE, JOB# 607126PE	9/26/06	

FUNCTIONAL BLOCK DIAGRAM



CONTRACT NO.		 AMERICAN MICROWAVE CORPORATION FREDERICK, MARYLAND	
APPROVALS	DATE	TITLE	
DRAWN <i>PRB</i>	9/26/06	FUNCTIONAL BLOCK DIAGRAM SWN-1140-5DT-STANDARD OPTIONS: 0522, B01, BM NON-REFLECTIVE/ABSORPTIVE, RADIAL SOLID STATE SWITCH	
CHECKED <i>RA</i>	10/03/06	SIZE	REV.
ISSUED		A	-
		FSCM NO.	DWG NO.
		60483	100-4168-004
		SCALE N/S	SHEET 3 of 4